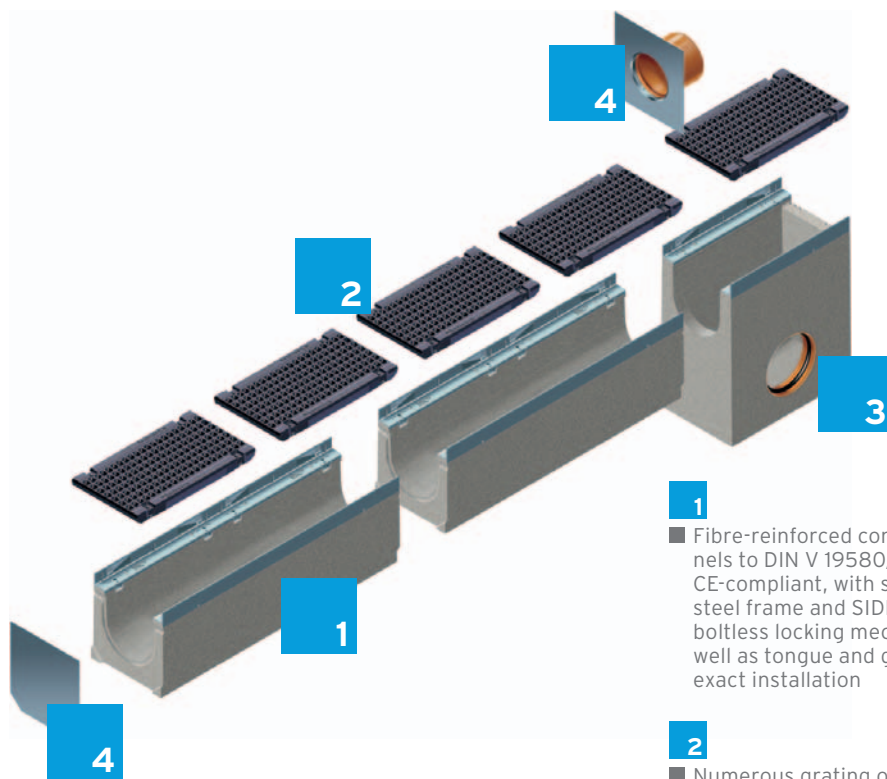


FASERFIX® SUPER

THE COMPLETE DRAINAGE SYSTEM - EXTREMELY ROBUST.
FOR EXPOSURE TO HEAVY ROAD TRAFFIC IN PUBLIC AREAS AND INDUSTRY.



AT A GLANCE

- ✓ Highest bending tensile strength
- ✓ Patented SIDE-LOCK boltless locking system
- ✓ With safety joint for easy sealing

- 1** ■ Fibre-reinforced concrete channels to DIN V 19580/EN 1433, CE-compliant, with safety joint, steel frame and SIDE-LOCK boltless locking mechanism as well as tongue and groove for exact installation
- 2** ■ Numerous grating options, e.g. GUGI-Ductile iron mesh gratings
- 3** ■ Trash box with drainage connection options on 3 sides, integrated KG sleeve DN 100 and removable mud bucket
- 4** ■ End caps with and without outlets

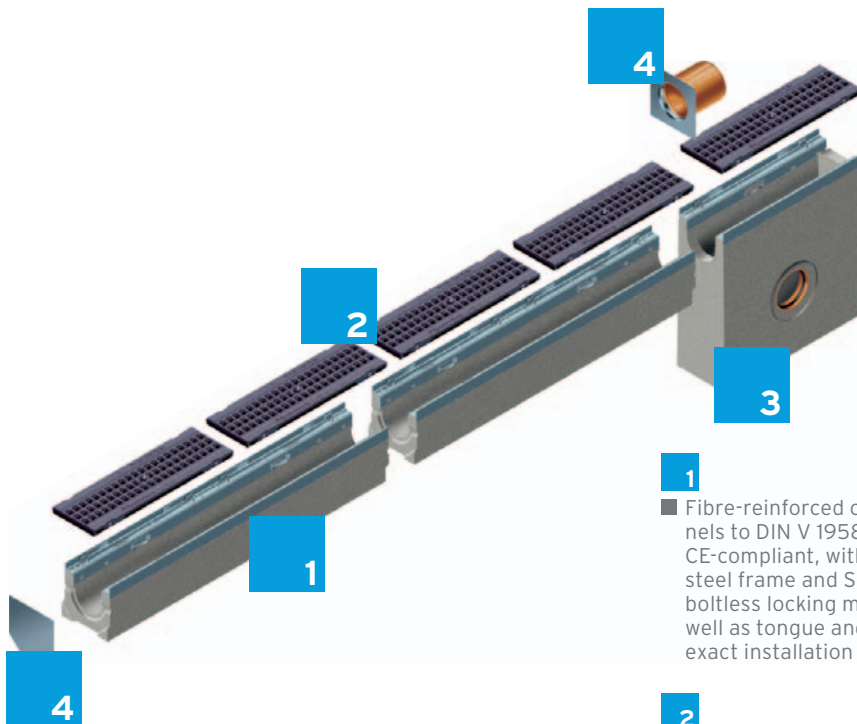
FASERFIX® SUPER RANGE

Nominal sizes 100 - 500, loading capacity C 250 up to F 900

FASERFIX SUPER 100	FASERFIX SUPER 150	FASERFIX SUPER 200	FASERFIX SUPER 300	FASERFIX SUPER 400	FASERFIX SUPER 500
Class F 900	Class E 600 up to F 900	Class E 600 up to F 900	Class C 250 up to F 900	Class D 400 up to F 900	Class D 400 up to E 600

FASERFIX® SUPER KS

THE COMPLETE DRAINAGE SYSTEM - EXTREMELY ROBUST.
FOR EXPOSURE TO HEAVY ROAD TRAFFIC IN PUBLIC AREAS AND INDUSTRY.



AT A GLANCE

- ✓ Highest bending tensile strength
- ✓ Patented SIDE-LOCK boltless locking system
- ✓ Available with built-in fall
- ✓ High stability, reduced weight

- 1** Fibre-reinforced concrete channels to DIN V 19580/EN 1433, CE-compliant, with safety joint, steel frame and SIDE-LOCK boltless locking mechanism as well as tongue and groove for exact installation
- 2** Numerous grating options, e.g. GUGI-Ductile iron mesh gratings
- 3** Trash box with drainage connection options on 3 sides, integrated KG sleeve DN 100 and removable mud bucket
- 4** End caps with and without outlets

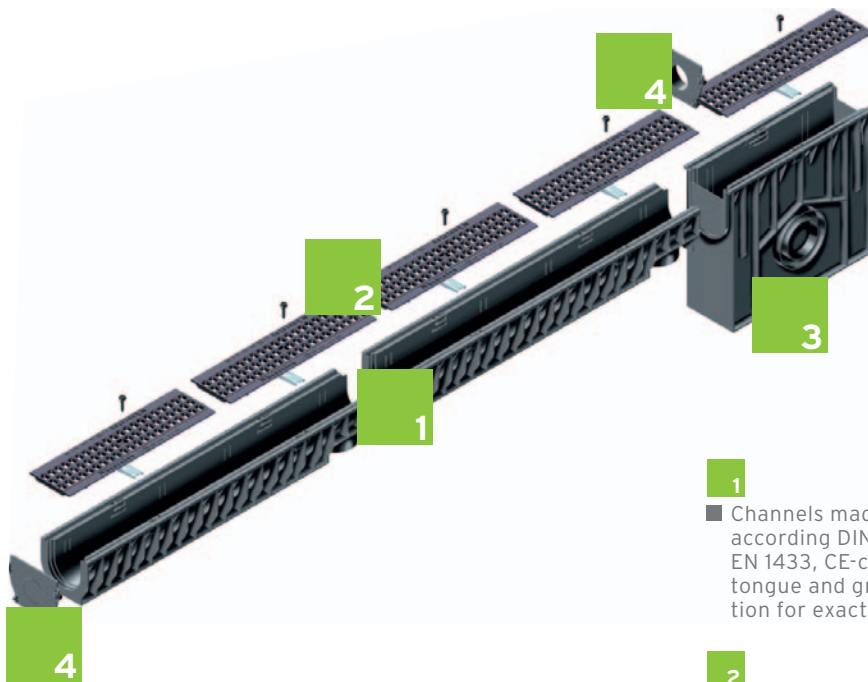
FASERFIX® SUPER KS RANGE

Nominal sizes 100 - 300, loading capacity A 15 up to F 900

FASERFIX SUPER KS 100	FASERFIX SUPER KS 150	FASERFIX SUPER KS 200	FASERFIX SUPER KS 300
Class A 15 up to F 900	Class C 250 up to F 900	Class C 250 up to F 900	Class D 400 up to E 600

RECYFIX® STANDARD

ENVIRONMENTALLY FRIENDLY DRAINAGE.
FOR INSTALLATION IN HOUSES, GARDENS AND PEDESTRIAN AREAS.



AT A GLANCE

- ✓ Easy and fast to install
- ✓ For applications up to load class C 250
- ✓ Strength and function comply with DIN EN 1433

1

Channels made of PE-PP, according DIN V 19580 / EN 1433, CE-conform, with tongue and groove connection for exact installation

3

Trash box with pipe-connection possibilities

4

end caps with and without outlets

2

numerous grating options, for exemple GUGI-Ductile iron mesh gratings

RECYFIX® STANDARD RANGE

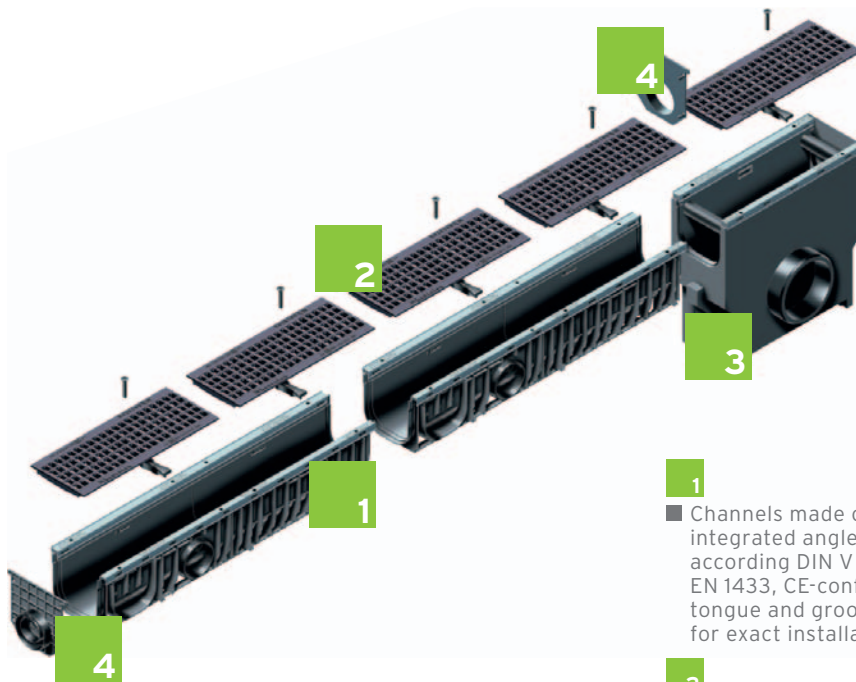
Nominal sizes 100 - 300, loading capacity A 15 up to C 250

RECYFIX STANDARD 100	RECYFIX STANDARD 150	RECYFIX STANDARD 200	RECYFIX STANDARD 300
Class trafficable up to C 250	Class trafficable up to C 250	Class trafficable up to C 250	Class C 250

The RECYFIX STANDARD range is delivered in complete, assembled units.

RECYFIX®PLUS

STABLE DRAINAGE.
WITH EDGE PROTECTION AND ATTRACTIVE DESIGN.



AT A GLANCE

- ✓ For commercial precincts up to load class C 250 in accordance with DIN EN 1433
- ✓ Additional strength through galvanized / stainless steel frame
- ✓ Attractive appearance through visible metal edge

- 1** Channels made of PE-PP, with integrated angle housing, according DIN V 19580 / EN 1433, CE-conform, with tongue and groove connection for exact installation
- 2** numerous grating options, for exemple GUGI-Ductile iron mesh gratings
- 3** Trash box with pipe-connection possibilities
- 4** End caps with and without outlets

RECYFIX®PLUS RANGE

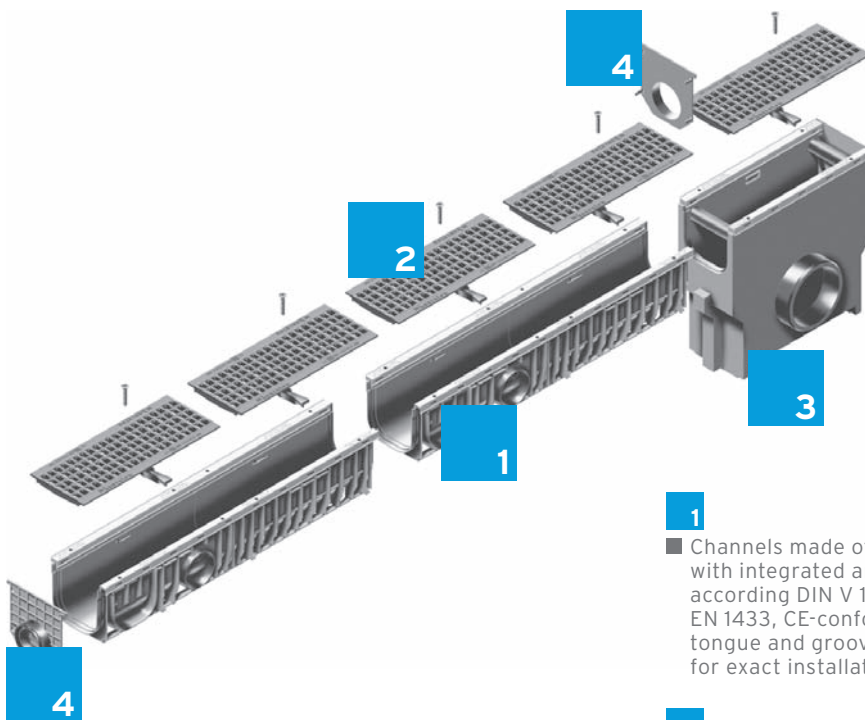
Nominal sizes 100 - 200, loading capacity A 15 up to C 250

RECYFIX PLUS 100	RECYFIX PLUS 150	RECYFIX PLUS 200	RECYFIX PLUS 300
Class A 15 up to C 250	Class A 15 up to C 250	Class A 15 up to C 250	Class C 250

The RECYFIX PLUS range is delivered in complete, assembled units.

RECYFIX®PLUS X

STABLE DRAINAGE.
WITH PROTECTIVE EDGE AND ATTRACTIVE DESIGN.



AT A GLANCE

- ✓ Loading category D 400, certified to EN 1433
- ✓ Internal width 100mm to 300mm
- ✓ Light and robust
- ✓ Easy and quick to install

1

■ Channels made of PE-PP, with integrated angle housing, according DIN V 19580 / EN 1433, CE-conform, with tongue and groove connection for exact installation

2

■ Numerous grating options in loading capacity D 400, for example GUGI-Ductile iron mesh gratings

3

■ Trash box with pipe-connection possibilities

4

■ End caps with and without outlets

RECYFIX®PLUS X RANGE

Nominal sizes 100 - 300, loading capacity D 400

RECYFIX PLUS X 100	RECYFIX PLUS X 150	RECYFIX PLUS X 200	RECYFIX PLUS X 300
Class D 400	Class D 400	Class D 400	Class D 400

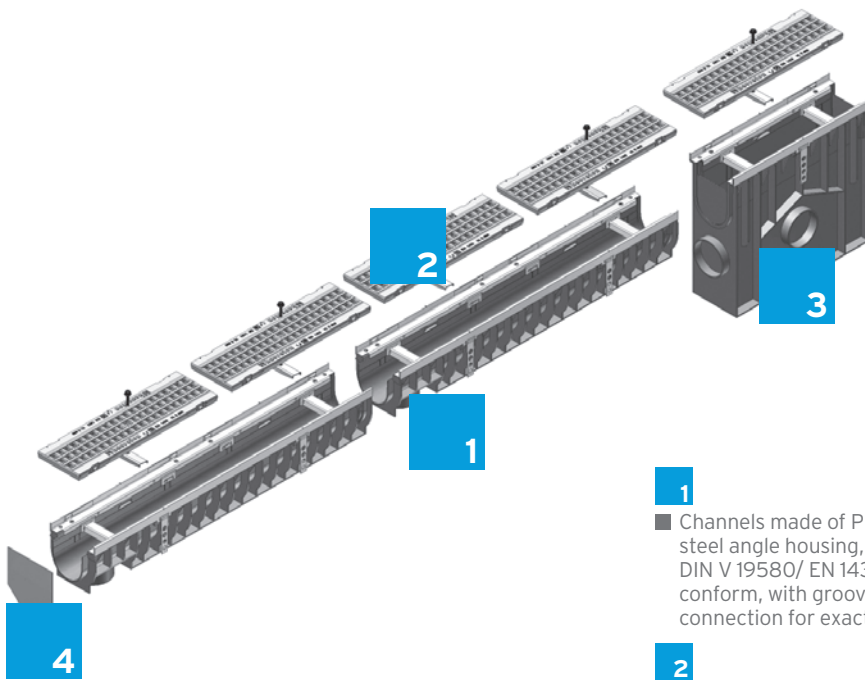
The RECYFIX PLUS X range is delivered in complete, assembled units.

RECYFIX® SUPER KS / RECYFIX® SUPER 300

DRAINS COMPLETELY - LIGHT AND ROBUST.
HIGH STABILITY FOR PUBLIC AND INDUSTRIAL AREAS.

AT A GLANCE

- ✓ Light and robust
- ✓ Quick and easy to install
- ✓ Up to loading capacity F 900, certified according EN 1433
- ✓ With SIDE-LOCK boltless locking system



- 1** Channels made of PE-PP, with steel angle housing, according DIN V 19580/ EN 1433, CE-conform, with groove and tongue connection for exact installation
- 2** Numerous grating options, for example GUGI-Ductile iron mesh gratings
- 3** Trash box with pipe-connection possibilities
- 4** End cap

RECYFIX® SUPER KS AND RECYFIX® SUPER 300 RANGE

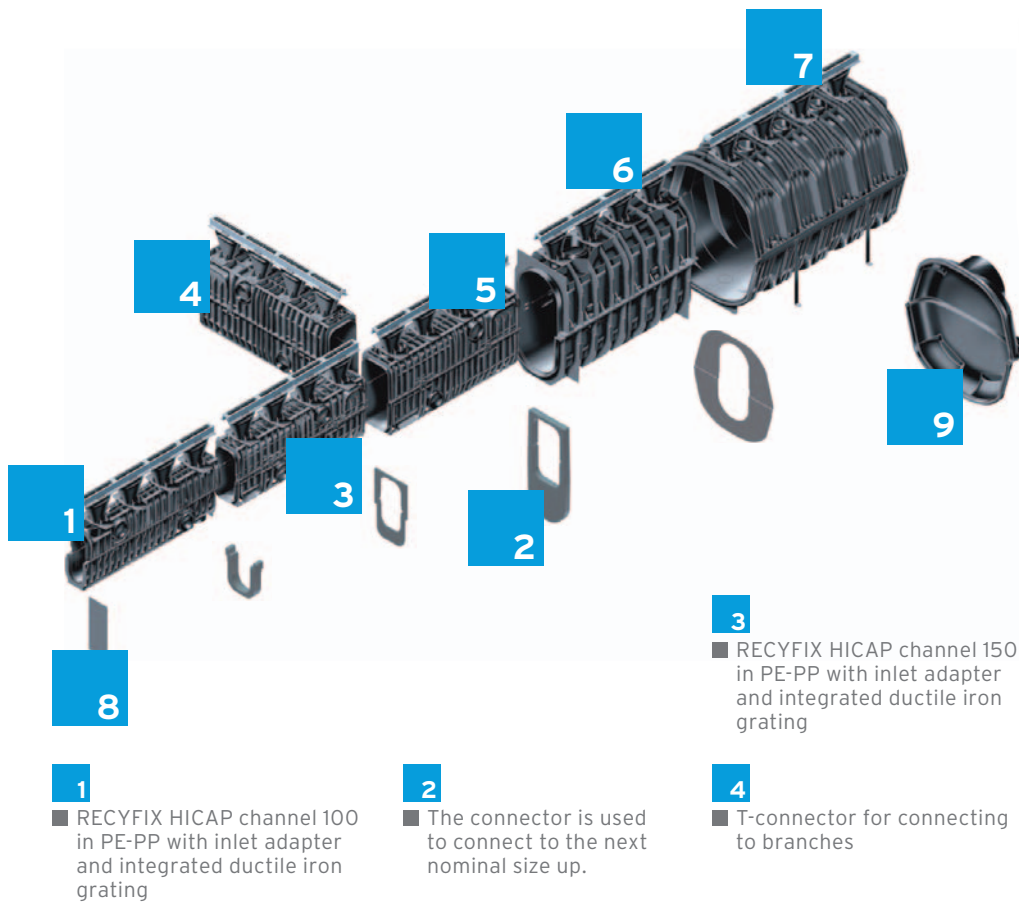
Nominal sizes 100 - 300, loading capacity C 250 up to E 600

RECYFIX SUPER KS 100	RECYFIX SUPER KS 150	RECYFIX SUPER KS 200	RECYFIX SUPER KS 300	RECYFIX SUPER 300
Class C 250 up to E 600	Class C 250 up to E 600	Class C 250 up to E 600	Class C 250 up to E 600	Class C 250 up to F 900

The RECYFIX SUPER KS / RECYFIX SUPER range is delivered in complete, assembled units.

RECYFIX® HICAP®

EFFECTIVE DRAINAGE - MODULAR CONSTRUCTION.
DRAINAGE AND RETENTION SYSTEM FOR LARGER AREAS.



AT A GLANCE

- ✓ High-performance drainage system
- ✓ Suitable for heavy duty traffic areas
- ✓ Easy to handle and install
- ✓ Unique slot inlet design

1 RECYFIX HICAP channel 100 in PE-PP with inlet adapter and integrated ductile iron grating

2 The connector is used to connect to the next nominal size up.

4 T-connector for connecting to branches

3 RECYFIX HICAP channel 150 in PE-PP with inlet adapter and integrated ductile iron grating

7 RECYFIX HICAP channel 680 in PE-PP with inlet adapter and integrated ductile iron grating

8 End cap 100

9 End cap 680 with canal connection option

5 RECYFIX HICAP channel 200 in PE-PP with inlet adapter and integrated ductile iron grating

6 RECYFIX HICAP channel 300 in PE-PPc with inlet adapter and integrated ductile iron grating

RECYFIX® HICAP® 100 Type 265 : 184 cm ² , Type 365 : 284 cm ²	RECYFIX® HICAP® 150 Type 380 : 460 cm ²	RECYFIX® HICAP® 200 Type 465 : 790 cm ²	RECYFIX® HICAP® 300 Type 750 : 1714 cm ²	RECYFIX® HICAP® 680 Type 860 : 4150 cm ²

SOLUTIONS

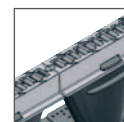
The RECYFIX HICAP range combines linear drainage channel and canalisation. This system exists in 5 different nominal widths:

- unique slot design made from high-quality ductile GGG-50
- each element with integral tongue and groove joint
- 3 slot models: type 'Pedestrian' with longitudinal web, type 'Traffic' with cross web and type 'Industrial' with large intake cross-section
- fast and easy to install
- hydraulic calculation program and individual design support

TYPES OF SLOTS

RECYFIX® HICAP®

Traffic



Pedestrian



Industrial



OVERVIEW OF THE HAURATON CHANNEL RANGE

RANGE	CHANNELS				GRATINGS		APPLICATIONS	
	GROUP	MATERIAL	ANGLE HOUSING	TYPE OF BUILT-IN FALL	TYPES	LOCKING SYSTEM	LOADING CAPACITIES	APPLICATION EXAMPLES
FASERFIX SUPER 100, 150, 200, 300, 400 and 500	CIVILS	Reinforced concrete	Galvanised angle housing	without built-in fall	<ul style="list-style-type: none"> Ductile iron gratings GUGI Ductile iron Mesh gratings Mesh gratings Solid covers 	SIDE-LOCK/bolts	A 15 up to F 900	Areas subject to traffic with very high wheel loads, e.g. airport runways and circulation areas.
FASERFIX SUPER KS 100, 150, 200, 300	CIVILS	Reinforced concrete	Galvanised or stainless steel angle housing	with or without built-in fall	<ul style="list-style-type: none"> Ductile iron gratings GUGI Ductile iron Mesh gratings Mesh gratings Slotted gratings Perforated gratings Solid covers Longitudinal gratings 	SIDE-LOCK/locking handle	A 15 up to F 900	Areas subject to traffic with very high wheel loads, e.g. airport runways and circulation areas.
RECYFIX STANDARD 100, 150, 200, 300	LAND-SCAPING	PE-PP	without	without built-in fall	<ul style="list-style-type: none"> Ductile iron gratings GUGI Ductile iron Mesh gratings Mesh gratings Slotted gratings Perforated gratings Solid covers 	locking handle	A 15 up to C 250	Inside kerbs and on verges not subject to traffic and similar situations, kerb slot channels.
RECYFIX PLUS 100, 150, 200, 300	LAND-SCAPING	PE-PP	galvanised or stainless steel frame	without built-in fall	<ul style="list-style-type: none"> Ductile iron gratings GUGI Ductile iron Mesh gratings Mesh gratings Slotted gratings Perforated gratings Solid covers 	locking handle	A 15 up to C 250	Inside kerbs and on verges not subject to traffic and similar situations, kerb slot channels.
RECYFIX PLUS X 100, 150, 200, 300	CIVILS	PE-PP	galvanised steel frame	without built-in fall	<ul style="list-style-type: none"> Ductile iron gratings GUGI Ductile iron Mesh gratings 	locking handle	D 400	Carriageways and roads (also pedestrianised) hard shoulders of roads and parking areas for all types of road vehicles.
RECYFIX SUPER KS 100, 150, 200, 300	CIVILS	PE-PP	galvanised or stainless steel angle housing	without built-in fall	<ul style="list-style-type: none"> Ductile iron gratings GUGI Ductile iron Mesh gratings 	SIDE-LOCK/locking handle	C 250 up to E 600	Areas subject to traffic with high wheel loads, e.g. ports and docks.
RECYFIX SUPER 300	CIVILS	PE-PP	galvanised angle housing	without built-in fall	<ul style="list-style-type: none"> Ductile iron gratings GUGI Ductile iron Mesh gratings 	bolts	C 250 up to E 600	Areas with heavy traffic, e.g. industrial and trading estates, exhibition centres, car parks, train stations.